

myLink WiFi to Radio Technology Somfy Interface

Part #1811264



Overview:

The myLink WiFi to Radio Technology Somfy® interface is a WiFi to RTS bridge that can control up to 5 channels of RTS motorized products using the Somfy myLink apps for iOS and Android devices. Through the app, users can send immediate RTS commands, create Scenes (a group of motorized products working together) and Schedules (timed events). Users may access their myLinks from anywhere with the apps' remote access feature. Though the myLink is a single-zone controller, multiple myLinks can be joined within the same system for multi-zone control. The myLink can also serve as an IP to RTS bridge for 3rd party control systems.



Features Summary:

- Control for up to 5 RTS channels per myLink from iOS and Android devices
- Join multiple myLinks together for multi-zone control
- Manually activate RTS products
- Automate window coverings with Scenes and Schedules
- Supports Up/Down/My/Stop commands and incremental control (tilt/brightness)
- Plug-and-play installation
- Multiple users
- Remote access

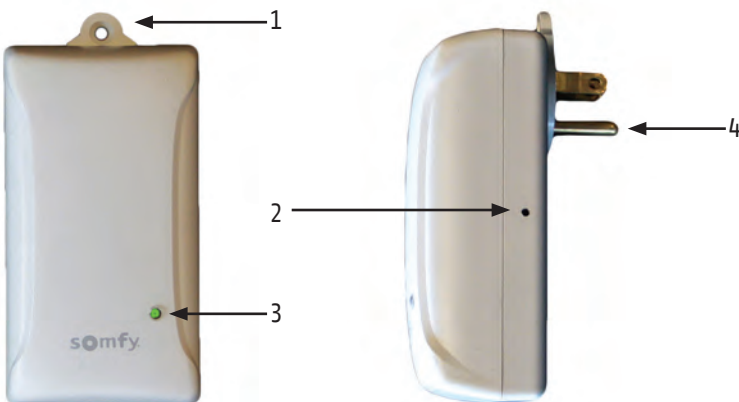
Technical Specifications:

- 110V AC; 50-60Hz
- Ultra Low Power Wi-Fi (802.11 b/g/n)
- 4.11L x 2.23W x 1.52H in.
- Enclosure:
 - ABS
 - UL94V-0 flame rating
 - RoHS compliant
 - UL listed
- Radio Frequency:
 - RTS 433.32 MHz
 - WiFi: 2.4 GHz
- iOS Version: 6 and higher
- Android Version: Jelly Bean and higher
- Shipping Weight: 1lb

What's in the Box:

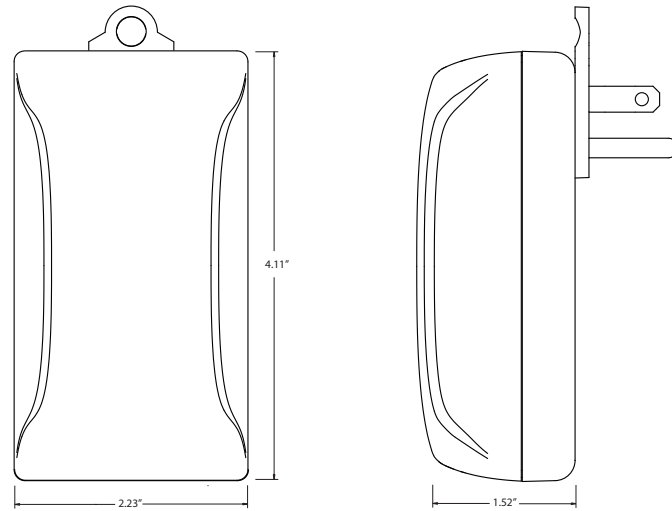
- myLink
- Quick Start Guide

Connections and Indicators:



ELEMENT	FUNCTION
1 Hold Down Tab	Allows device to be secured to outlet
2 Setup Button	Engages setup mode
3 Status LED	Solid Red: setup mode and is ready to connect to LAN Solid Green: connected to LAN Blinking Green: searching for/connecting to a LAN Flashing Red: RTS signal transmission Solid Amber (green & red): Factory reset mode
4 AC Prongs	AC prongs

Dimensions:



Wiring Best Practice:

